

DESCRIPTION

AMC MODEL SWN-218-2DR-IND-SP OPTION: 818, HPR30W IS AN INDEPENDENTLY CONTROLLED, HIGH POWER REFLECTIVE SINGLE POLE TWO THROW SWITCH DESIGNED TO OPERATE BETWEEN THE 8 TO 18 GHz FREQUENCY RANGE.

SPECIFICATIONS

- FREQUENCY RANGE: 8 TO 18 GHz
- INSERTION LOSS: 1.5 dB MAXIMUM
- ISOLATION: 45 dB MINIMUM
- VSWR: 2.0:1
- RISE TIME: 20 nSec MAXIMUM
- FALL TIME: 20 nSec MAXIMUM
- DELAY ON: 50 nSec MAXIMUM
- DELAY OFF: 50 nSec MAXIMUM
- PORT TO PORT SWITCHING: 60 nSec MAXIMUM
- PULSE WIDTH: 1 uSec MAXIMUM
- MAXIMUM PRF: 2 MHz
- CONTROL: TTL LOW (0.2VDC NOMINAL) = INSERTION LOSS
..... TTL HIGH (3.5VDC NOMINAL) = ISOLATION
- POWER SUPPLY: +5V @ 100 mA MAXIMUM
..... -12V @ 75 mA MAXIMUM
- PEAK POWER (OPERATING): 30 WATTS MAXIMUM
- AVERAGE POWER (OPERATING): 10 WATTS MAXIMUM
- CONNECTORS:
RF: SMA FEMALE
CONTROL: SOLDER PIN
- SIZE: 1.20" (L) x 1.00" (W) x 0.50" (H)
- WEIGHT: 1.5 OUNCE TYPICAL

OPTIONS:

- 818: 8 TO 18 GHz FREQUENCY RANGE
- HPR30W: HIGH POWER 30 WATTS HANDLING
- -12VDC -12VDC

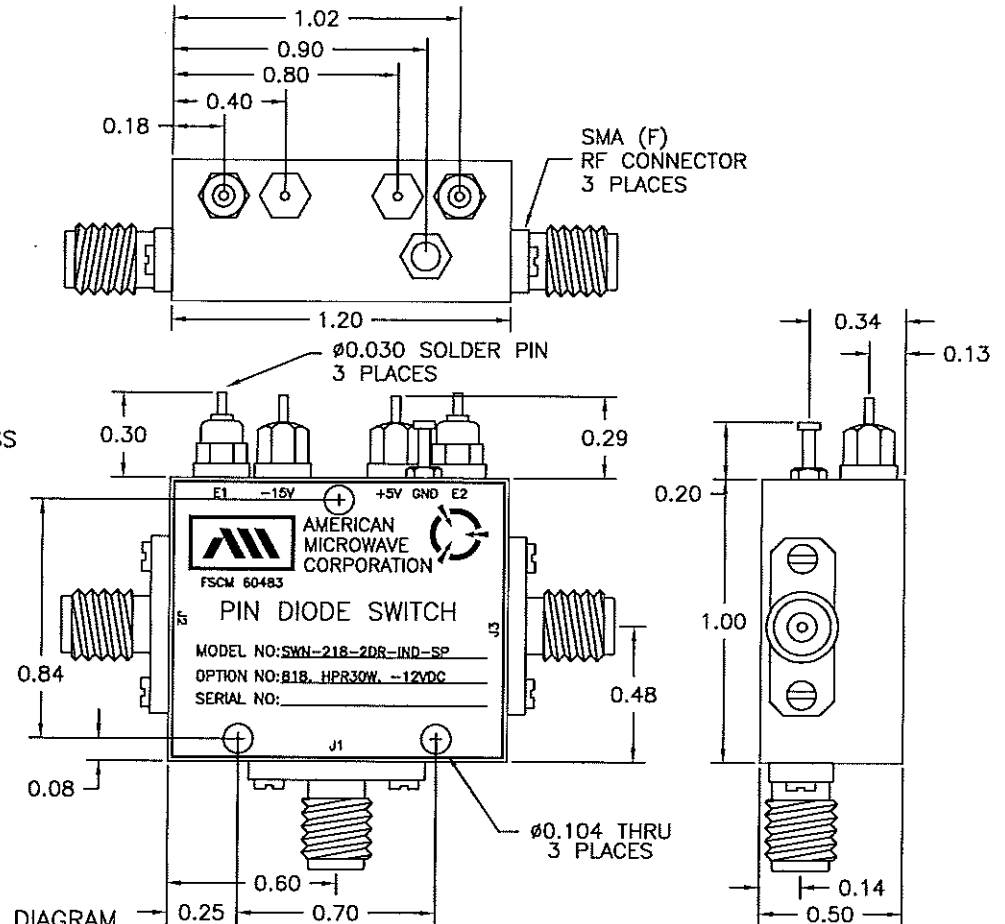
ENVIRONMENTAL RATINGS:

- TEMPERATURE: -55°C TO +85°C (OPERATING)
..... -65°C TO +125°C (STORAGE)
- HUMIDITY: MIL-STD-202F, METHOD 103B COND. B
- SHOCK: MIL-STD-202F, METHOD 213B COND. B
- VIBRATION: MIL-STD-202F, METHOD 204D COND. B
- ALTITUDE: MIL-STD-202F, METHOD 105C COND. B
- TEMPERATURE CYCLE: MIL-STD-202F, METHOD 107D COND. A

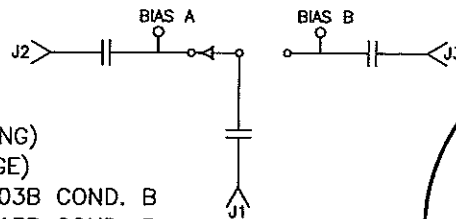
NOTE: SPECIFICATIONS WILL VARY OVER OPERATING TEMPERATURE
NOTE: THE ABOVE SPECIFICATIONS ARE SUBJECT TO CHANGE OR REVISION

ALL DIMENSIONS ARE IN INCHES
TOLERANCES:
X.XX ±0.020
X.XXX ±0.010

REVISIONS				
ZONE	REV.	DESCRIPTION	DATE	APPROVED
-	-	ORIGINAL RELEASE JOB# 712249PE-1	1/07/08	



BLOCK DIAGRAM



AMERICAN MICROWAVE CORPORATION

7311-G GROVE ROAD
FREDERICK, MARYLAND 21704 USA
TEL: 301-662-4700 FAX: 301-662-4938
WEBSITE: www.americanmicrowavecorp.com
E-MAIL: sales@americanmicrowavecorp.com
ISO 9001:2000 CERTIFIED

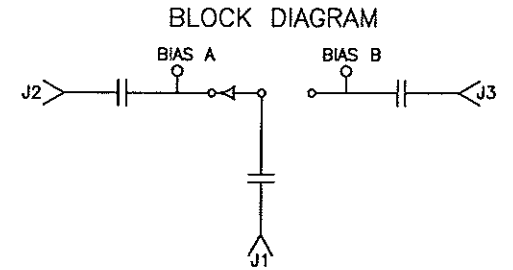
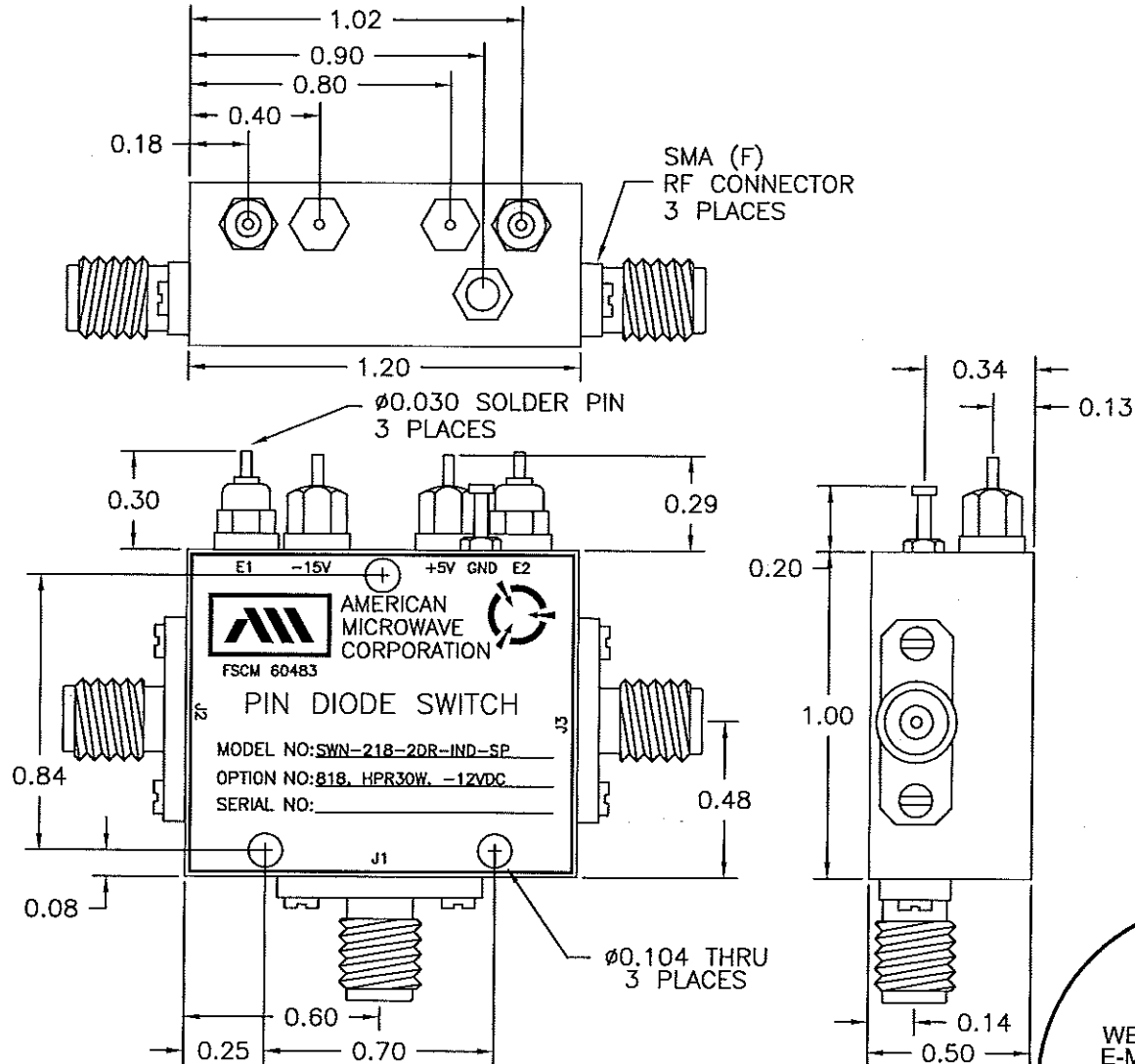


APPROVALS		DATE	TITLE		
DRAWN	JDJ	2/23/05	PRODUCT FEATURE SWN-218-2DR-IND-SP OPTION: 818, HPR30W, -12VDC 8 - 18 GHz, SINGLE POLE TWO THROW SWITCH		
CHECKED	JT	11/16/08	SIZE	FSCM NO.	DWG NO.
ISSUED			A	60483	100-7357-002
			SCALE	SHEET	
			N:S	1 OF 3	

DESCRIPTION

AMC MODEL SWN-218-2DR-IND-SP OPTION: 818, HPR30W IS AN INDEPENDENTLY CONTROLLED, HIGH POWER REFLECTIVE SINGLE POLE TWO THROW SWITCH DESIGNED TO OPERATE BETWEEN THE 8 TO 18 GHz FREQUENCY RANGE.

MECHANICAL OUTLINE



AMERICAN MICROWAVE CORPORATION

7311-G GROVE ROAD
 FREDERICK, MARYLAND 21704 USA
 TEL: 301-662-4700 FAX: 301-662-4938
 WEBSITE: www.americamicrowavecorp.com
 E-MAIL: sales@americamicrowavecorp.com
 ISO 9001:2000 CERTIFIED



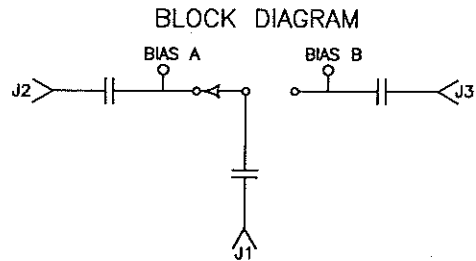
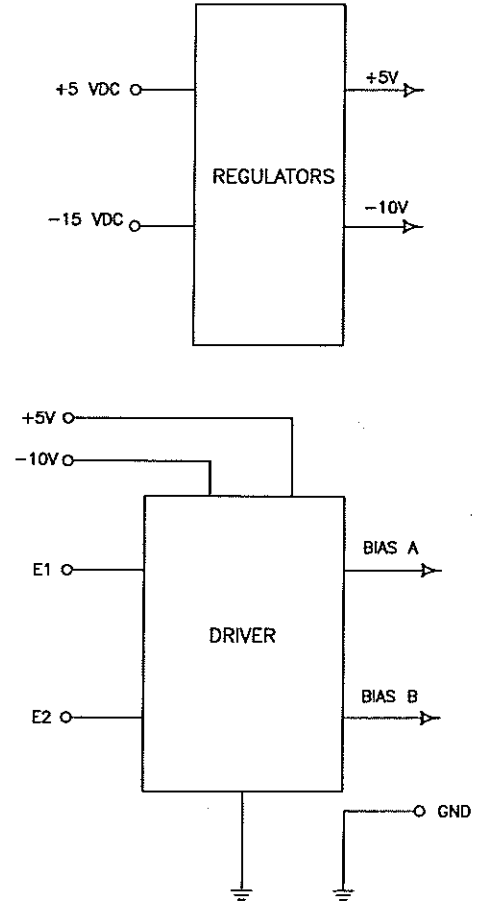
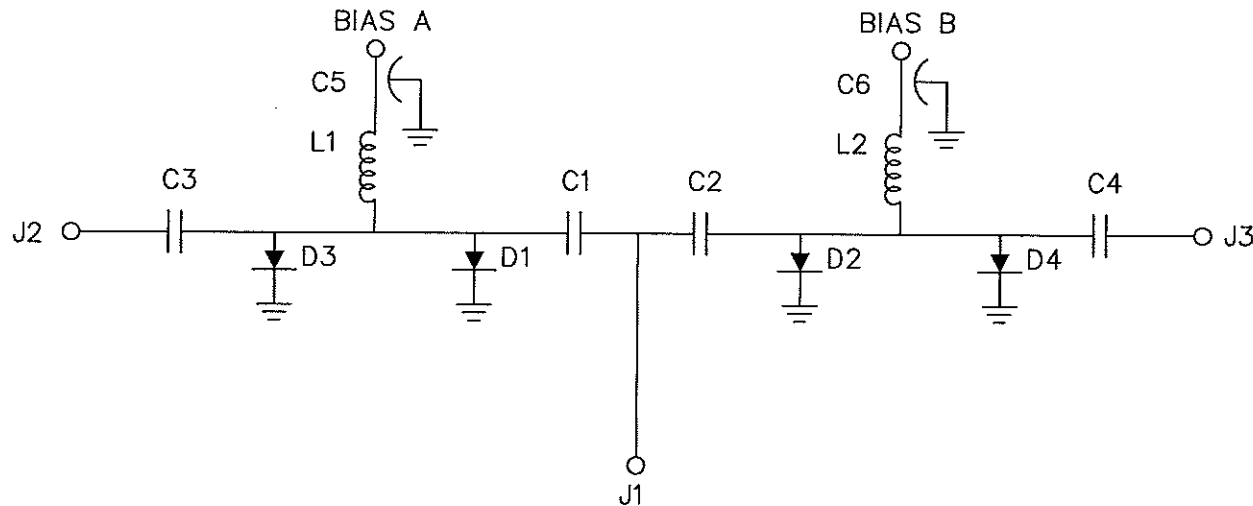
ALL DIMENSIONS ARE IN INCHES
 TOLERANCES:
 X.XX ±0.020
 X.XXX ±0.010

APPROVALS		DATE	TITLE		REV.
DRAWN <i>JDJ</i>		2/23/05	MECHANICAL OUTLINE		
CHECKED <i>lt</i>		11/10/08	SWN-218-2DR-IND-SP		
ISSUED			OPTION: 818, HPR30W, 12VDC		
SIZE	FSCM NO.	DWG NO.			
A	60483	100-7357-002			
SCALE N:S		SHEET		2 OF 3	

DESCRIPTION

AMC MODEL SWN-218-2DR-IND-SP OPTION: 818, HPR30W IS AN INDEPENDENTLY CONTROLLED, HIGH POWER REFLECTIVE SINGLE POLE TWO THROW SWITCH DESIGNED TO OPERATE BETWEEN THE 8 TO 18 GHz FREQUENCY RANGE.

FUNCTIONAL BLOCK DIAGRAM



CONFIDENTIAL AND PROPRIETARY

AMERICAN MICROWAVE CORPORATION

7311-G GROVE ROAD
 FREDERICK, MARYLAND 21704 USA
 TEL: 301-662-4700 FAX: 301-662-4938
 WEBSITE: www.americanmicrowavecorp.com
 E-MAIL: sales@americanmicrowavecorp.com
 ISO 9001:2000 CERTIFIED



APPROVALS		DATE	TITLE		
DRAWN		2/23/05	FUNCTIONAL BLOCK DIAGRAM		
CHECKED		11/18	SWN-218-2DR-IND-SP		
ISSUED			OPTION: 818, HPR30W, -12VDC		
SIZE	PSCM NO.	DWG NO.	REV.		
A	60483	100-7357-002	-		
SCALE N:S		SHEET		3 OF 3	